

Measuring window FUV 38 – TR23

This measuring window was especially developed for the applications with the sensor type SUV19. The length of the immersion tube can be adapted specific to the application. We recommend to support the submersion tube at the closed end for lengths > 300 mm.

The main features are:

- waterproof up to 16 bar overpressure and 1 bar negative pressure for short periods
- operating temperature 0 to 60°C, 100°C for short periods
storage temperature –40 to 70°C
- thread on the front optionally M33x2 or G1"
- corpus made of stainless steel 1.4404
- jaw size 32
- immersion tube made of PN quartz, minimum length 100 mm, longer immersion tubes needs to be supported at its end
- inclusive cap nut M30x2 with M16x1.5 cable gland
- sealings M33x1 are included in the delivery

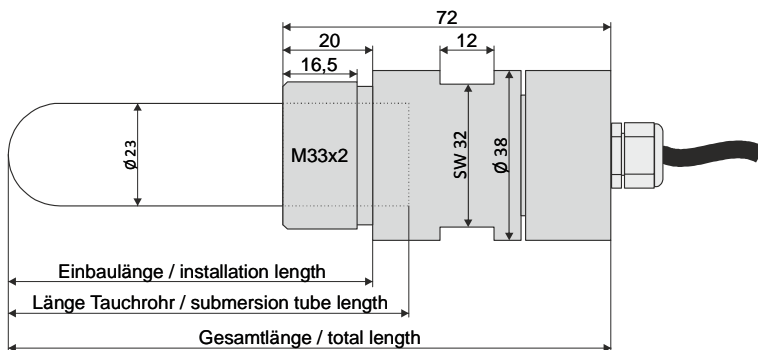


dismantled

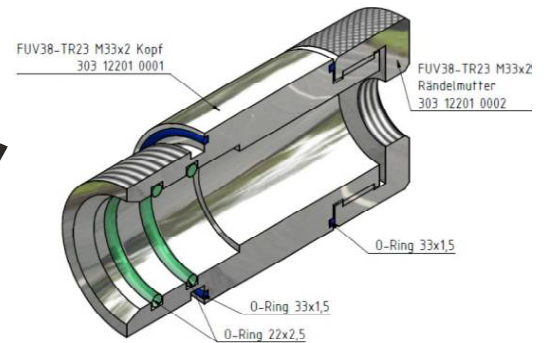


assembled

Sketch dimensioned



Cut presentation



Systems implemented so far

type	submersion tube length [mm]	total length [mm]	installation length approx. [mm]
FUV38-TR23/100 M33	100	144	92
FUV38-TR23/180 M33	180	224	172

Attention:

Check the inside of the measuring window / immersion tube for contamination or moisture. Condensation inside the measuring window must be avoided. For extreme temperature differences between ambient temperature and water temperature, we recommend flushing with dry air or nitrogen. Damage to the sensor connection or sensor which is caused by non-observance of our instructions are not covered by the warranty.

Please note also our other measuring windows:

- Standard measuring windows according DVGW/ÖNORM, also with extended thread
- Special measuring windows for negative pressure or with sterile flange
- Customized measuring windows in geometry and stainless steel type possible